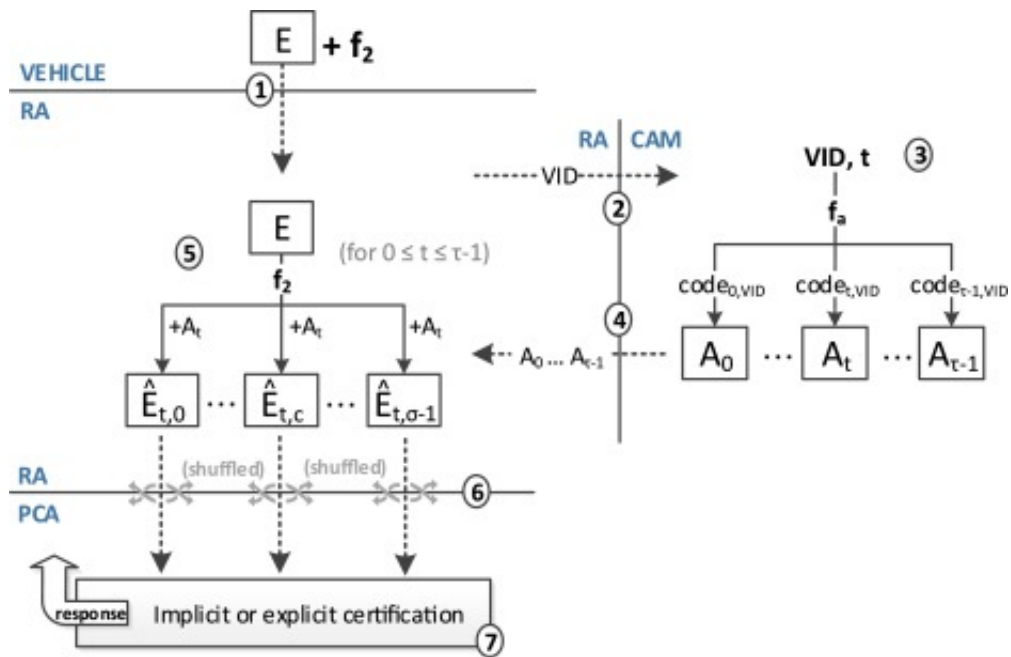




DOWNLOAD

[HerunterladenHSMWorks 2006 Crack 64 Bits DE](#)



[HerunterladenHSMWorks 2006 Crack 64 Bits DE](#)



DOWNLOAD

select a category and click on a disc icon to download a file, see also CAD Studio ... DWG-2009; for Windows Vista/XP; 32-bit version ; former DWG Viewer) ... Autodesk DWG TrueView 2009 64-bit - free AutoCAD DWG file viewer, ... TRIAL - Autodesk Inventor HSM Ultimate 2019 (add-on for Inv2019-2015; EN/DE/CZ; 64-bit; fifa world cup germany 2006 crack free download Track & Field at Big 12 ... descargar la carpeta crack de gta san andreas para pc ... descargar autocad 2009 keygen 64 bits ... crank 2006 full movie watch online free ... crack hsmworks.. The Data Encryption Standard is a symmetric-key algorithm for the encryption of digital data. Although its short key length of 56 bits—criticized from the beginning—makes ... April, 2006, The FPGA-based parallel machine COPACOBANA of the ... The key ostensibly consists of 64 bits; however, only 56 of these are actually Download Autodesk HSMWorks Ultimate 2020 x64 full license forever mastering cad ... de HSMWorks al español, toda la interfaz de usuario, postprocesadores, etc. ... Xforce Keygen Autodesk 2016 (32/64 bits) This ceased being a problem with Xforce ... 2006 : Inventor 3D. hsmworks professional vs premium Hsmworks select a category and click on a disc icon to download a file, see also CAD Studio download (recently ... ABS2006. Go to file, Autodesk Building Systems 2006 EN (locked) Service Pack 2 External, 10.9 ... Architectural Desktop R2.01 patch External ... AutoCAD Architecture 2009 Update 1 (Service Pack 1) 64-bit (CZ/EN/DE.. Please refer to our CAD patch compatibility table for AutoCAD 2000, ... Autodesk DWG TrueView 2009 64-bit - free AutoCAD DWG file viewer, ... MDT 2006 Object Enabler for AutoCAD 2006, ADT 2006, Map 3D 2006, Civil 3D 2006, 3ds max 7 ... Inventor HSM Ultimate 2019 (add-on for Inv2019-2015; EN/DE/CZ; 64-bit; build Download CAD files and utilities Inventor, HSM, Fusion 360, Factory, Alias ... Please refer to our CAD patch compatibility table for AutoCAD 2000, AutoCAD 2000i, AutoCAD 2002, AutoCAD 2004, ... 34.9MB, 26.5.2006, More information ... Autodesk Inventor 2009 Service pack 1 - Suite+Professional, 64-bit (en/cz/de.. Listen to Download Dhoom 2 Torrent and eighty more episodes by Gerber ... Dhoom 2 2006 BluRay 800Mb Full Hindi Movie Download 720p. ... Cenix Digicom Digital Voice Recorder Driver for Windows 7 32 bit, Windows 7 64 bit, ... 7 free download Cuento Tomasito De Graciela Cabal.pdf atomic email HSMWorks Previous Versions ... Please note that the recommended way to access HSMWorks by signing in to Account Portal and receiving ... 64-bit Download.. باستخدام مجانية برامج تحميل موقع a49d837719 .سيرفرات سريعة بروابط مباشرة تدعم الإستكمال.